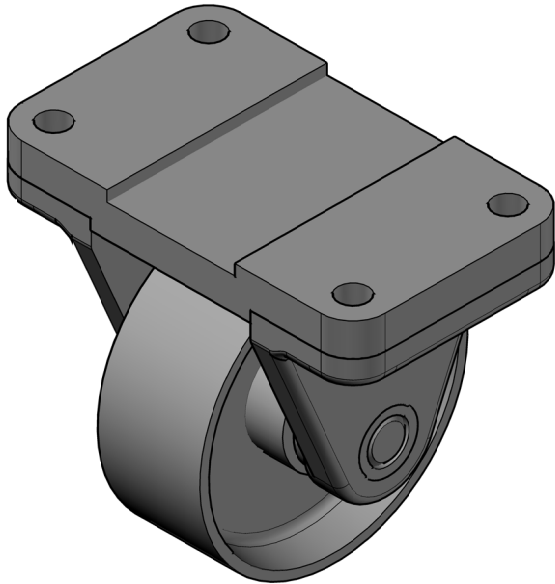


PARTS LIST			
ITEM	QTY	PART NAME	MATERIAL
1	1	TOP PLATE	MALLEABLE IRON
2	1	WHEEL	MALLEABLE IRON
3	2	AXLE SUPPORT	MALLEABLE IRON
4	1	AXLE	SAE 1020
5	2	BUSHING	BRONZE

FIT	BETWEEN PARTS
H8/f7	4 AND 5
H7/p6	4 AND 5
H8/f7	2 AND 4

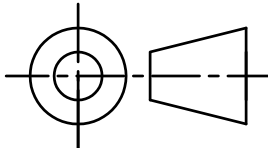


FASTEN ASSEMBLY TO A 6mm STEEL PLATE BY FOUR M 10X30mm LG HEX HD BOLTS, NUTS AND LOCK WASHERS.

ROUNDS AND FILLETS R3

LEGEND:
 ∅ DIAMETER
 R RADIUS
 ° DEGREES
 SFACE = SPOTFACE

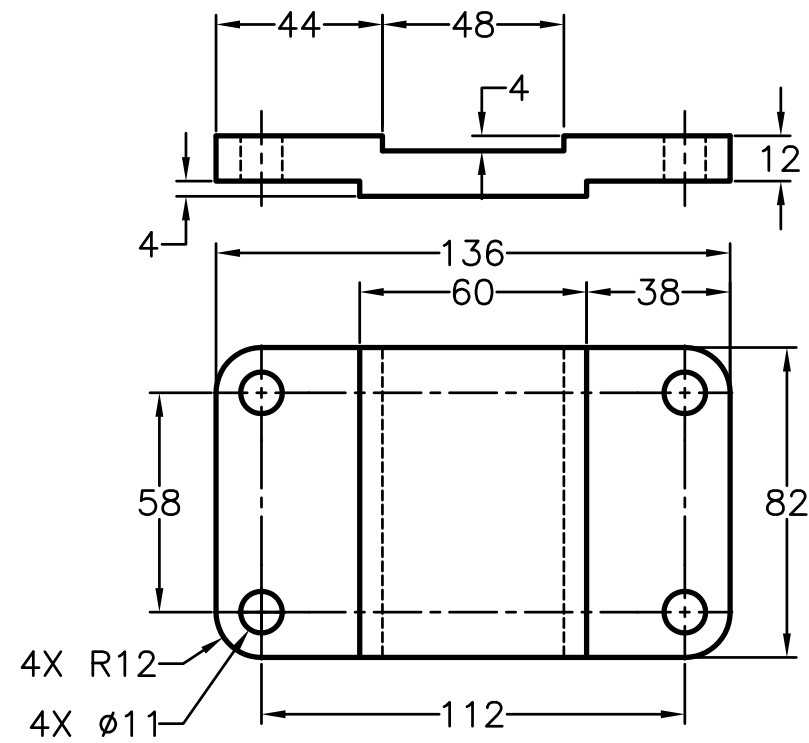
METRIC



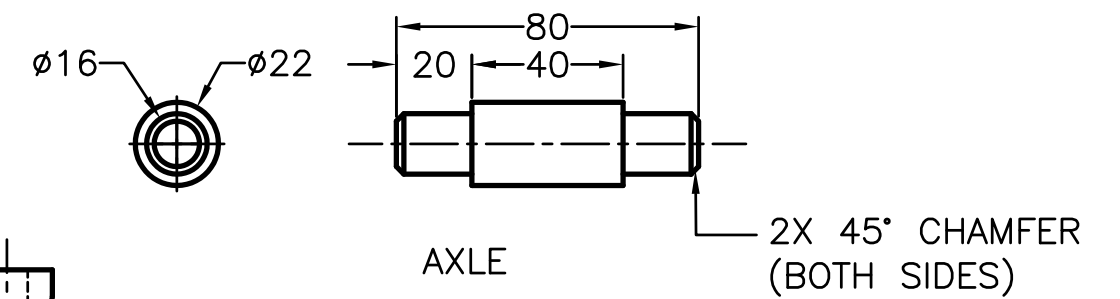
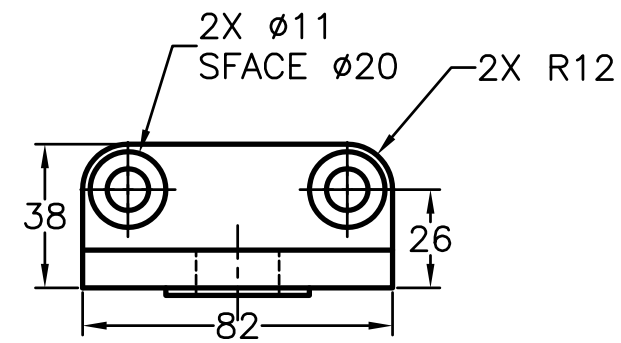
DIGITAL DESIGN GRAPHICS TECHNOLOGY	NAME:	I. VALENCIA	DWG NAME:	9-51	SHEET NO:	1 OF 1
	COURSE:	DDGT 120	SCALE:	1:2		
	DATE:	11/13/12				

PARTS LIST

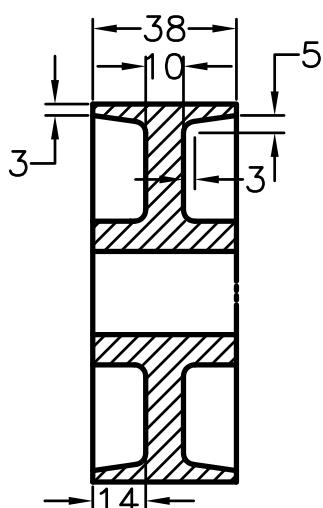
ITEM	QTY	PART NAME
1	1	TOP PLATE
2	1	WHEEL
3	2	AXLE SUPPORT
4	1	AXLE
5	2	BUSHING



TOP PLATE

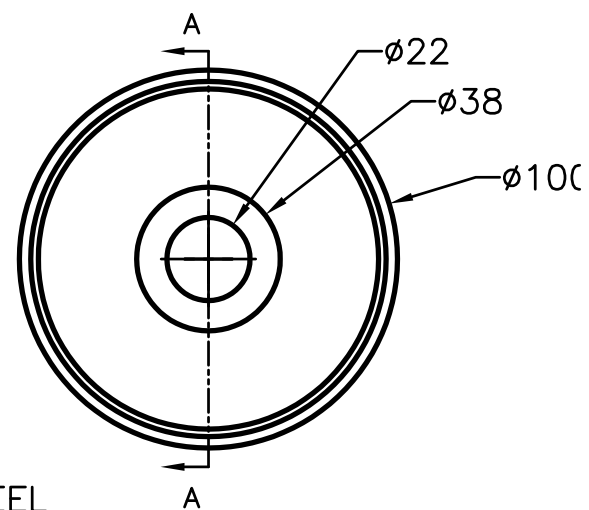


AXLE

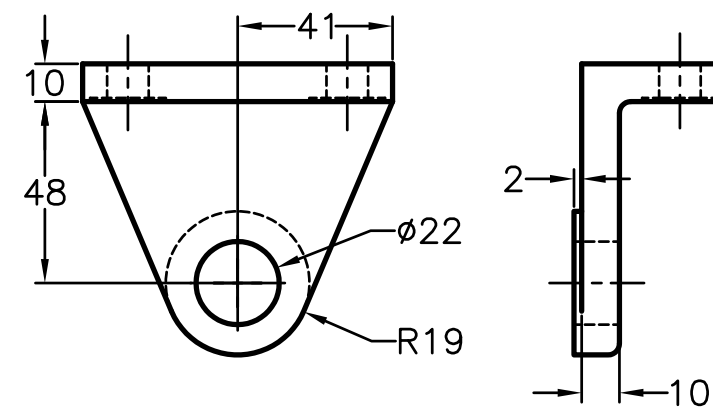


A-A

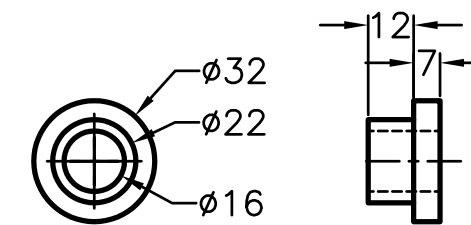
WHEEL



A



AXLE SUPPORT



BUSHING

DIGITAL DESIGN
GRAPHICS
TECHNOLOGY

NAME: I. VALENCIA
COURSE: DDGT 120
DATE: 11/13/12

DWG NAME: 9-51
SCALE: 1:2

SHEET NO:
2 OF 2